

## Making things easy.

**PEMA Skymaster PRO positioner for extra-heavy work. The height, tilt and rotating speed of work piece are fully adjustable and programmable.**

Optimal and repeatable position for ergonomics, capacity increase and simulated movements for safety. As a result welding productivity can be raised significantly compared to conventional positioner.

PRO features are available with mobile, tablet and laptop via WiFi. PRO application runs on internet browser and includes e.g. programming for the positioner, machine diagnostic, maintenance book and possibility to add notes.

Hundreds of man-hours saved yearly compared to manual work-piece handling. With PEMA Skymaster PRO these hours can be used on actual productive work.

Always the optimal dimensions for your product on purposes. Skymaster PRO series from 750 kg up to 35,000 kg.

Max. load (N)	70 000
Rotation speed (rpm)	0,05-1
Max. rotational torque (Nm)	9000
Tilting torque (Nm)	14 000
Tilting / angle (°)	hydr / 135
Tilting time 0-max angle (s)	55
Table plate diameter (mm)	1100
T-slots on table plate	4x M20 DIN508
Integrated grounding, max. current (A)	1400
Height min-max (mm)	1000-1850
Width (mm)	1490
Length (mm)	2560
Weight (kg)	3000
Main supply cable length (m)	12
Main supply connection 50 Hz	3x400VAC+(N)+PE
Power (A)	32

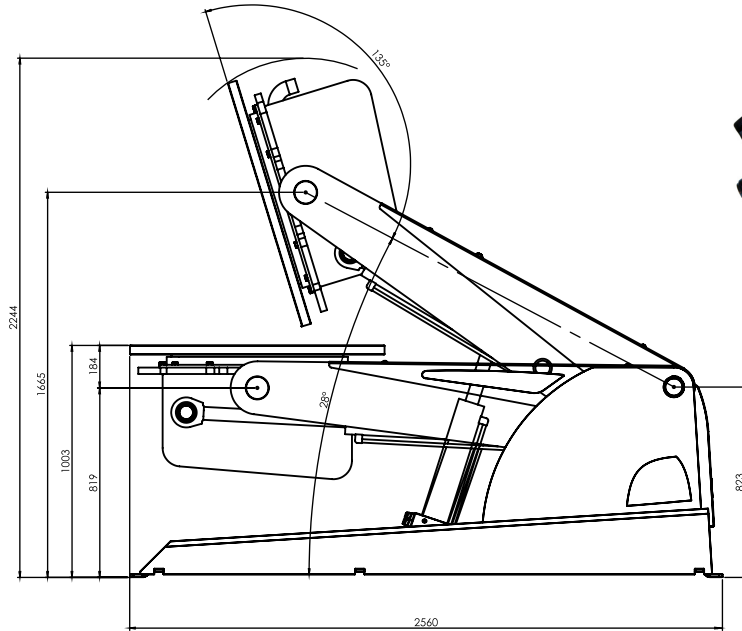
Due to continuous R&D, Pemamek Ltd reserves the right to change the specification without notice.



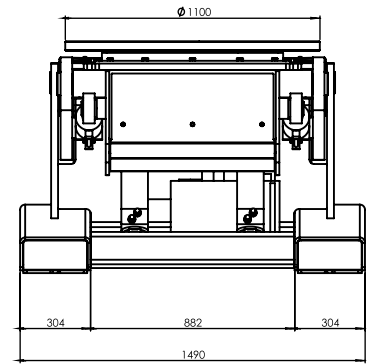
- Always correct welding and assembly positions
- Visual programming for all movements
- Improved welding quality
- Broad hydraulic 3-axis movements
- Better working ergonomics
- Fast production start-up
- Integration to other PEMA solutions
- High-quality components
- Extensive world-wide PEMA service



## Main measurements



Durable, wired RC32H remote control included



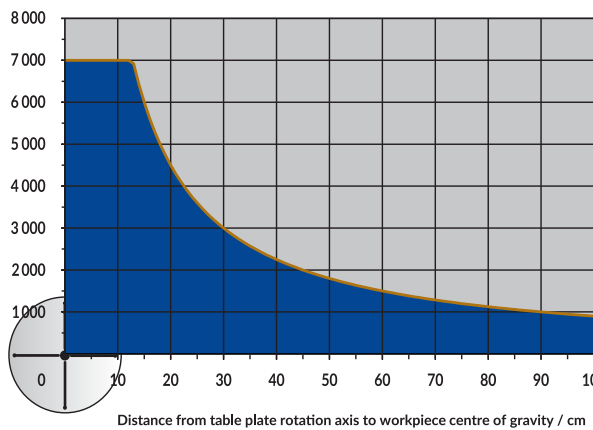
## Load capacity diagrams

Workpiece mass / kg

MAX 7 000 kg

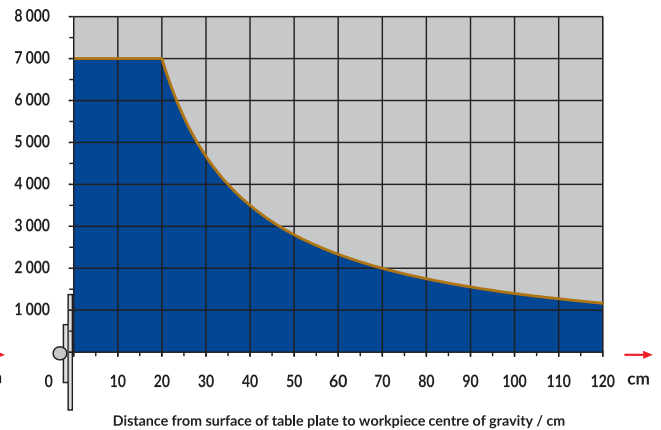
kg ↑

Max Rotation Torque 9 000 Nm



kg ↑

Max Tilting Torque 14 000 Nm



## Options

- Tablet for PRO application
- Foot pedal for PRO features and start/stop of rotation in manual mode
- External control of rotation
- Wireless remote control



**PEMAMEK**  
THE WELDING AUTOMATION COMPANY

pemamek.com  
@pemawelding



General fabrication | Wind energy | Shipbuilding  
Heavy equipment | Power generation | Offshore and process equipment