

Making things easy.

The PEMA SPSi Skyhook PRO positioners are designed for demanding tasks involving heavy workpieces, even those with the most complex product geometries. With a Skyhook PRO, workpieces can be easily set up in a wide range of orientations. The loading capacity ranges from 750 kg to 15,000 kg.

Optimal and repeatable positioning improves ergonomics, increases capacity, and enhances safety through simulated movements, significantly boosting welding productivity compared to conventional positioners.

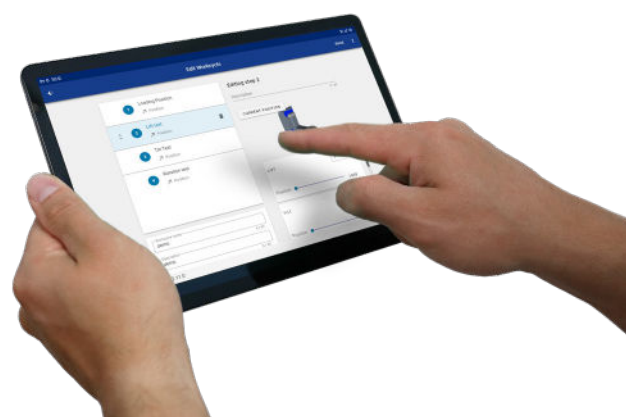
PRO features are accessible on mobile devices, tablets, and laptops via WiFi. The PRO application, available through a web browser, allows for positioner programming, machine diagnostics, maintenance logs, and note-taking.

PEMA Skyhook PRO saves hundreds of man-hours annually, freeing up time for more productive work compared to manual handling.

Max. load (kg)	750
Rotation speed (rpm)	0,09-2
Max. rotational torque (Nm)	600
Max. tilting torque (Nm)	1500
Tilting speed (rpm)	0,1-1,5
Lifting time (s)	65
Tilting axle height min-max	700-1500
Offset distance (mm)	400
Max. workpiece rotation diameter (mm)	2100
Table plate diameter (mm)	700
T-slots on table plate	3x M12 DIN508
Integrated grounding, max. current (A)	700
Width (mm)	1150
Length (mm)	2660
Height (mm)	2350
Weight (kg)	1530
Main supply cable length (m)	12
Main supply connection 50 Hz	3x400VAC+(N)+PE
Power (A)	16



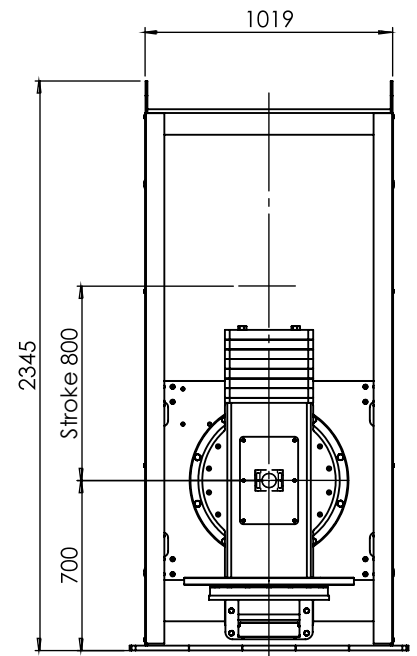
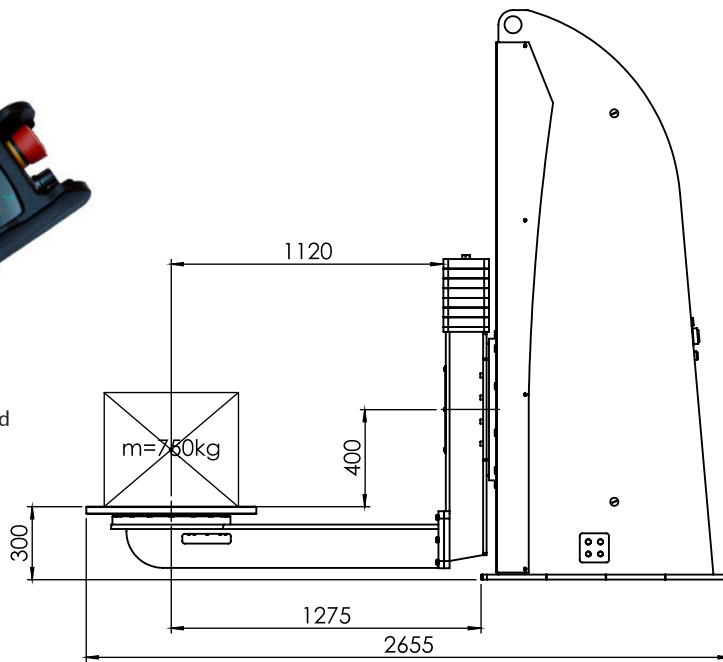
- Always correct welding and assembly positions
- Visual application for programming
- Durable remote control included
- Improved welding quality
- Excellent working ergonomics
- Fast production start-up
- Integration to other PEMA solutions
- High-quality components
- Extensive world-wide PEMA service



Main measurements



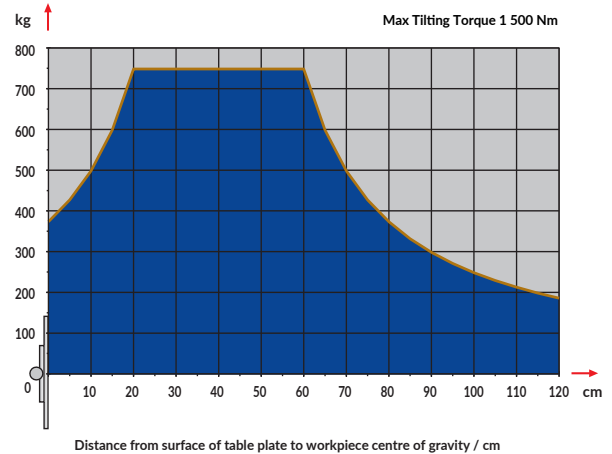
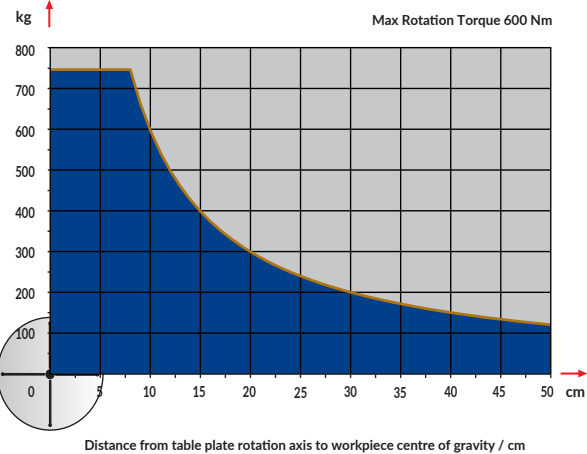
Durable, wired RC32H remote control included



Load capacity diagrams

Workpiece mass / kg

MAX 750 kg



Options

- Tablet for PRO application
- Foot pedal for PRO features and start/stop of rotation in manual mode
- External control of rotation
- Wireless remote control



PEMAMEK
THE WELDING AUTOMATION COMPANY

pemamek.com
@pemawelding



General fabrication | Wind energy | Shipbuilding
Heavy equipment | Power generation | Offshore and process equipment