

PEMA N75 | IDLER UNIT



N SERIES | ROLLERBEDS



Technical data

Max load (ton)	37,5
Diameter range min-max 50% (mm)	600-5500
Diameter range min-max 100% (mm)	1100-5500
Roller diameter / total width (mm)	620 / 245
Rollers (pcs)	2
Roller material	PU
Width (mm)	700
Length (mm)	3410
Weight (kg)	1250

Due to continuous R&D, Pemamek Ltd reserves the right to change the specification without notice.

PEMA N-SERIES ROLLERBEDS

PEMA N-series of conventional rollerbeds make up a range of basic solutions for rotating and handling a wide variety of cylindrical work-pieces. They occupy little space and feature a manual diameter adjustment arrangement. Loading capacities range between 12 and 1 600 tons.

PEMA N75 conventional idler rollerbeds are reliable, basic tools for rotating and moving cylindrical workpieces such as tubes, pressure vessels and tanks in automated welding. Thanks to their compact size, they occupy little space on shop floor. For smooth and effortless rotation, one or several idler units are usually combined with a powered drive unit.

In the N-series, roller distances are manually adjusted to accommodate varying work-piece diameters. N75 models feature reliable and easy stepped manual diameter adjustment by means of a bolt arrangement.

- Ideal for any cylindrical objects
- Even weight distribution
- Manual adjustment for different work-piece diameters
- PEMA rollerbeds fulfill the requirements of the European EN-safety norm
- All PEMA rollerbeds come with CE-markings

BETTER PRODUCTIVITY

A cost-effective way to improve productivity, welding quality and safety.

EASY INTEGRATION

Easy to integrate with other PEMA products like column & booms.

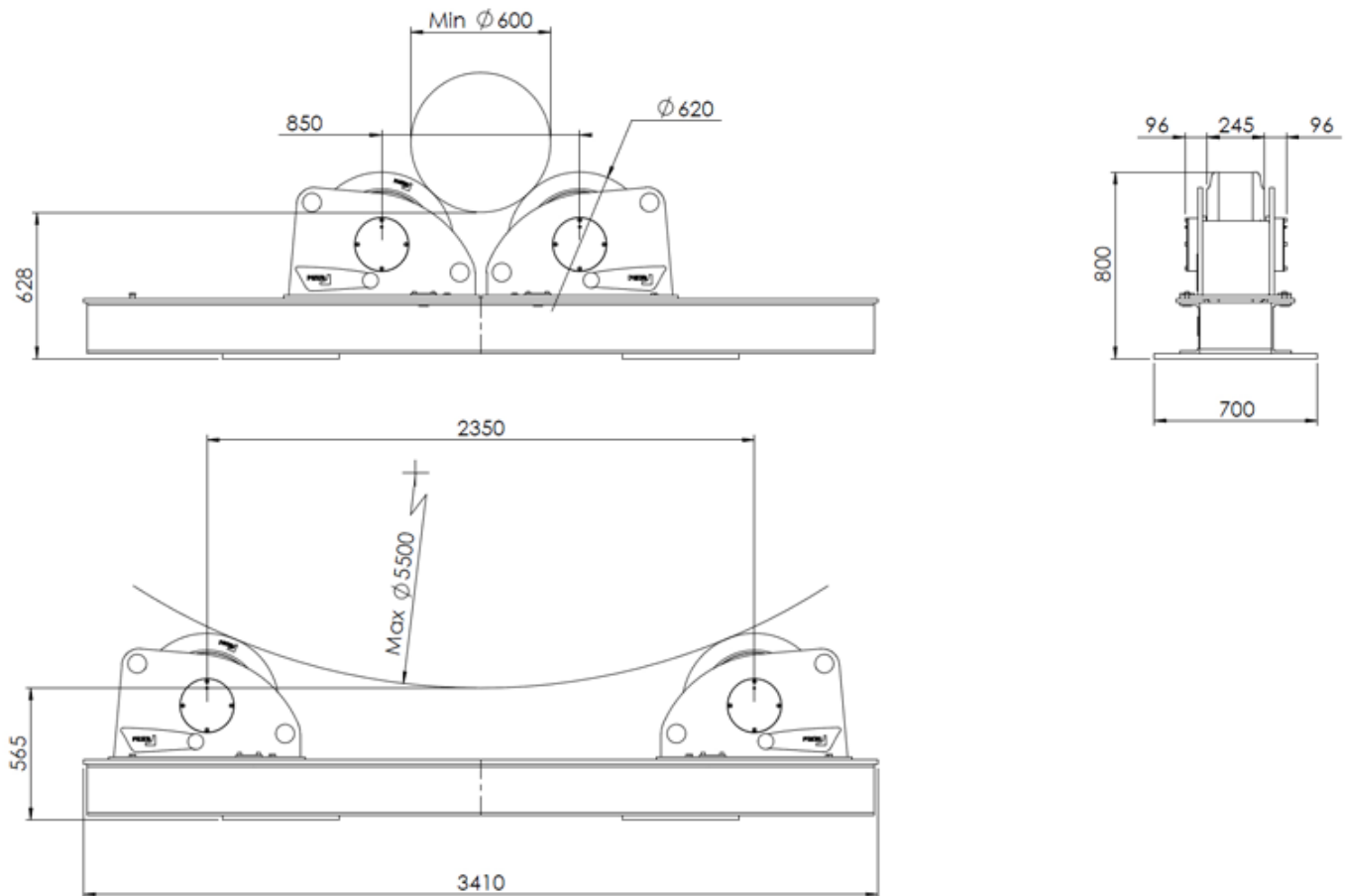
RELIABLE PRODUCTS

Designed and built for demanding machine shop environment.

PEMA N75 | IDLER UNIT



N SERIES | ROLLERBEDS



Optional accessories

- Rail car units

PEMAMEK
THE WELDING AUTOMATION COMPANY

pemamek.com

[@pemawelding](https://twitter.com/pemawelding)



General fabrication | Wind energy | Shipbuilding

Heavy equipment | Power generation | Offshore and process equipment

Pemamek reserves the right to change specifications without notice.