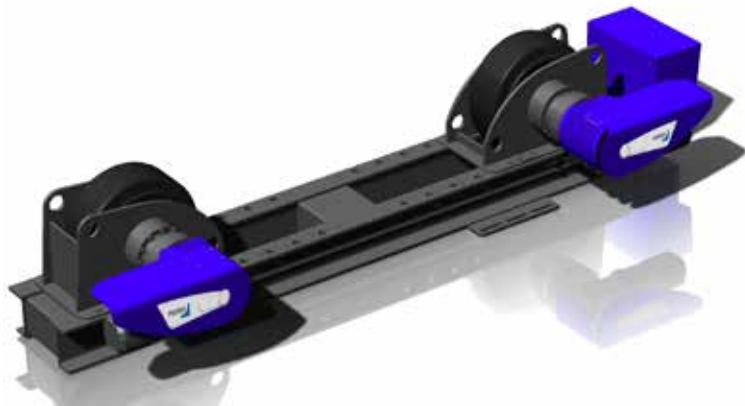


PEMA N75 2D DRIVE UNIT



N SERIES | ROLLERBEDS



Technical data

| | |
|------------------------------------|-------------|
| Max load (ton) | 37,5 |
| Rolling capacity (ton) | 112,5 |
| Max. rotation force (kN) | 50 |
| Rotation speed range (mm/min) | 100-2000 |
| Diameter range min-max 50% (mm) | 600-5500 |
| Diameter range min-max 100% (mm) | 1100-5500 |
| Roller diameter / total width (mm) | 620 / 245 |
| Rollers (pcs) | 2 |
| Roller material | PU |
| Width (mm) | 1120 |
| Length (mm) | 3820 |
| Weight (kg) | 1600 |
| Mains supply connection 50 Hz | 3*400V+N+PE |
| Power (A) | 16 |

Due to continuous R&D, Pemamek Ltd reserves the right to change the specification without notice.

PEMA N-SERIES ROLLERBEDS

PEMA N-series of conventional rollerbeds make up a range of basic solutions for rotating and handling a wide variety of cylindrical work-pieces. They occupy little space and feature a manual diameter adjustment arrangement. Loading capacities range between 12 and 1 600 tons.

PEMA N75 conventional, powered 2-roller-drive rollerbeds are reliable basic tools for rotating and moving cylindrical work-pieces such as tubes, pressure vessels and tanks in automated welding. A power unit is usually combined with one or several idler units. Thanks to their compact size, they occupy little space on shop floor.

In the N-series, roller distances are manually adjusted to accommodate varying work-piece diameters. N75 models feature reliable and easy stepped manual diameter adjustment by means of a bolt arrangement.

- Ideal for any cylindrical work-pieces
- Even weight distribution
- Manual adjustment for different work-piece diameters
- PEMA rollerbeds fulfill the requirements of the European EN-safety norm
- All PEMA rollerbeds come with CE-markings

BETTER PRODUCTIVITY

A cost-effective way to improve productivity, welding quality and safety.

EASY INTEGRATION

Easy to integrate with other PEMA products like column & booms.

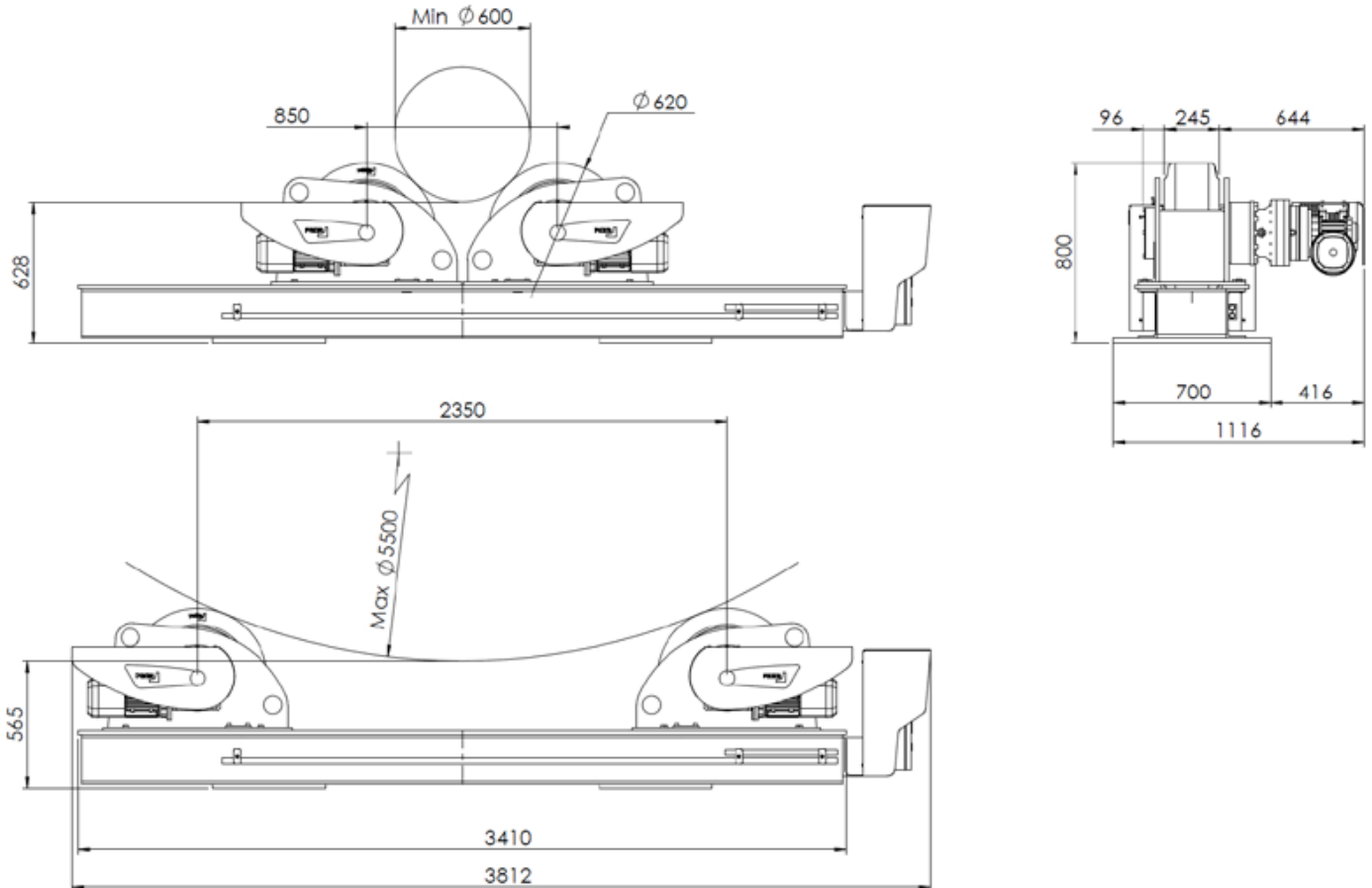
RELIABLE PRODUCTS

Designed and built for demanding machine shop environment.

PEMA N75 2D DRIVE UNIT



N SERIES | ROLLERBEDS



Optional accessories

- Foot pedal for start/stop of rotation
- Foot pedal for speed control of rotation
- External control of rotation
- Rail car units

PEMAMEK
THE WELDING AUTOMATION COMPANY

pemamek.com
@pemawelding



Pemamek reserves the right to change specifications without notice.

General fabrication | Wind energy | Shipbuilding
Heavy equipment | Power generation | Offshore and process equipment