

# PEMA N5 | IDLER UNIT



## N SERIES | ROLLERBEDS



### Technical data

Max load (ton)	2,5
Diameter range min-max (mm)	150-3200
Roller diameter / total width (mm)	350 / 75
Rollers (pcs)	2
Roller material	PU
Width (mm)	380
Length (mm)	2100
Weight (kg)	400

Due to continuous R&D, Pemamek Ltd reserves the right to change the specification without notice.

## PEMA N-SERIES ROLLERBEDS

PEMA N-series of conventional rollerbeds make up a range of basic solutions for rotating and handling a wide variety of cylindrical work-pieces. They occupy little space and feature a manual diameter adjustment arrangement. Loading capacities range between 12 and 1 600 tons.

PEMA N5 conventional idler rollerbeds are reliable, basic tools for rotating and moving cylindrical work-pieces such as tubes, pressure vessels and tanks in automated welding. Thanks to their compact size, they occupy little space on shop floor. For smooth and effortless rotation, one or several idler units are usually combined with a powered drive unit.

In the N-series, roller distances are manually adjusted to accommodate varying work-piece diameters. N5 models feature quick and easy stepless manual diameter adjustment by means of a screw arrangement.

- Ideal for any cylindrical objects
- Even weight distribution
- Manual adjustment for different work-piece diameters
- PEMA rollerbeds fulfill the requirements of the European EN-safety norm
- All PEMA rollerbeds come with CE-markings

### BETTER PRODUCTIVITY

A cost-effective way to improve productivity, welding quality and safety.

### EASY INTEGRATION

Easy to integrate with other PEMA products like column & booms.

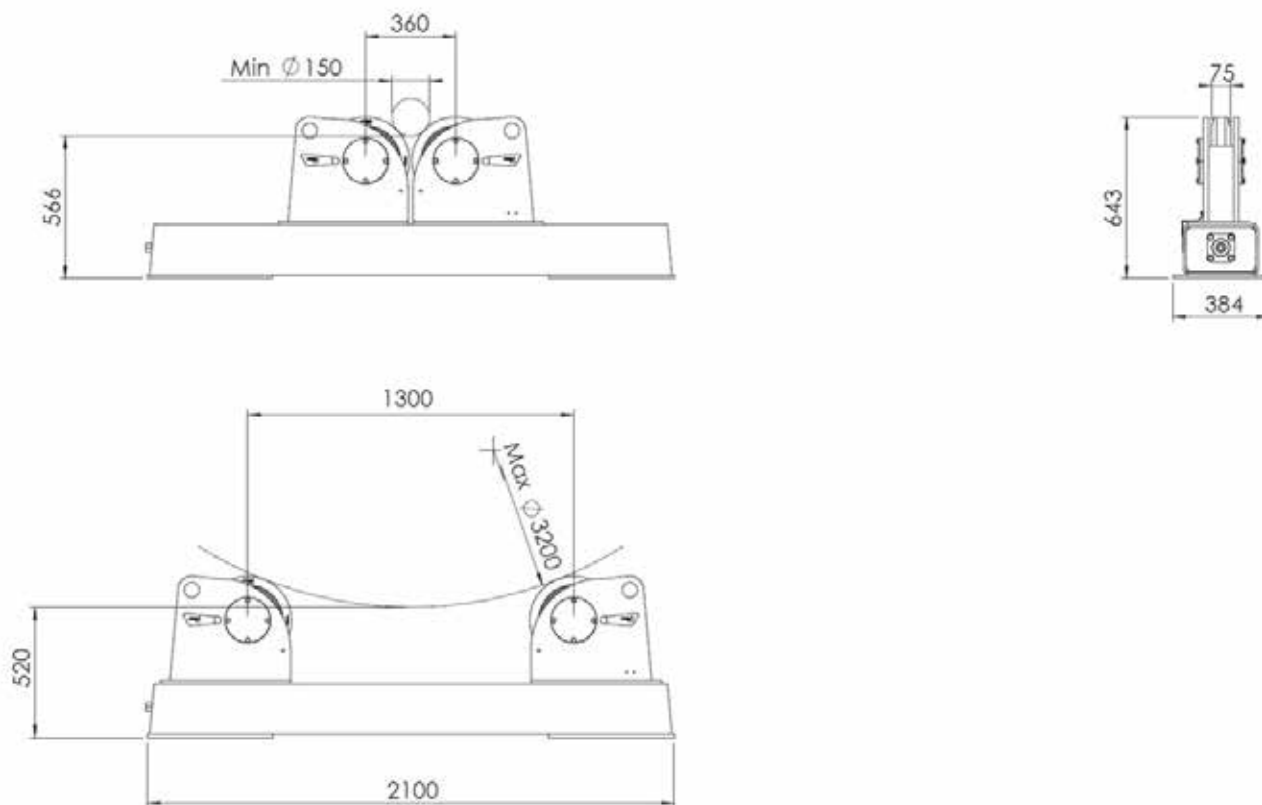
### RELIABLE PRODUCTS

Designed and built for demanding machine shop environment.

# PEMA N5 | IDLER UNIT



N SERIES | ROLLERBEDS



## Optional accessories

- Rail car units

**PEMAMEK**  
THE WELDING AUTOMATION COMPANY

[pemamek.com](http://pemamek.com)

[@pemawelding](https://twitter.com/pemawelding)



General fabrication | Wind energy | Shipbuilding  
Heavy equipment | Power generation | Offshore and process equipment