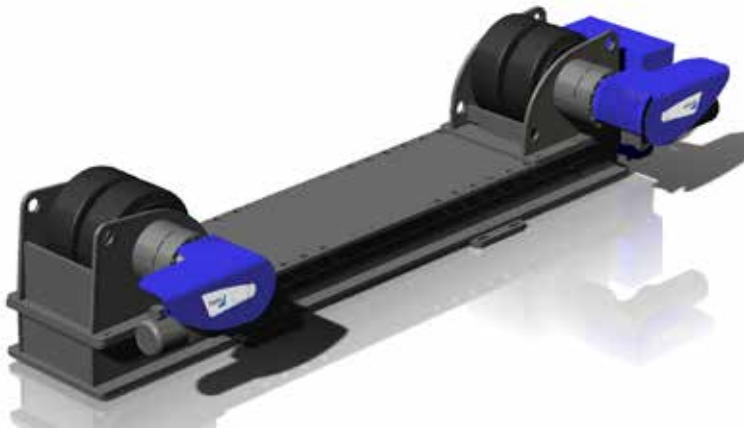


# PEMA N150 2D DRIVE UNIT **Pema**

## N SERIES | ROLLERBEDS



### Technical data

Max load (ton)	75
Rolling capacity (ton)	225
Max. rotation force (kN)	110
Rotation speed range (mm/min)	100-2000
Diameter range min-max 50% (mm)	600-7500
Diameter range min-max 100% (mm)	1100-7500
Roller diameter / total width (mm)	620 / 495
Rollers (pcs)	4
Roller material	PU
Width (mm)	1430
Length (mm)	4670
Weight (kg)	4000
Mains supply connection 50 Hz	3*400V+N+PE
Power (A)	32

Due to continuous R&D, Pemamek Ltd reserves the right to change the specification without notice.

## PEMA N-SERIES ROLLERBEDS

PEMA N-series of conventional rollerbeds make up a range of basic solutions for rotating and handling a wide variety of cylindrical work-pieces. They occupy little space and feature a manual diameter adjustment arrangement. Loading capacities range between 12 and 1 600 tons.

PEMA N150 conventional, powered 2-roller-drive rollerbeds are reliable basic tools for rotating and moving cylindrical work-pieces such as tubes, pressure vessels and tanks in automated welding. A power unit is usually combined with one or several idler units. Thanks to their compact size, they occupy little space on shop floor.

In the N-series, roller distances are manually adjusted to accommodate varying work-piece diameters. N150 models feature reliable and easy stepped manual diameter adjustment by means of a bolt arrangement.

- Ideal for any cylindrical objects
- Even weight distribution
- Manual adjustment for different work-piece diameters
- PEMA rollerbeds fulfill the requirements of the European EN-safety norm
- All PEMA rollerbeds come with CE-markings

### BETTER PRODUCTIVITY

A cost-effective way to improve productivity, welding quality and safety.

### EASY INTEGRATION

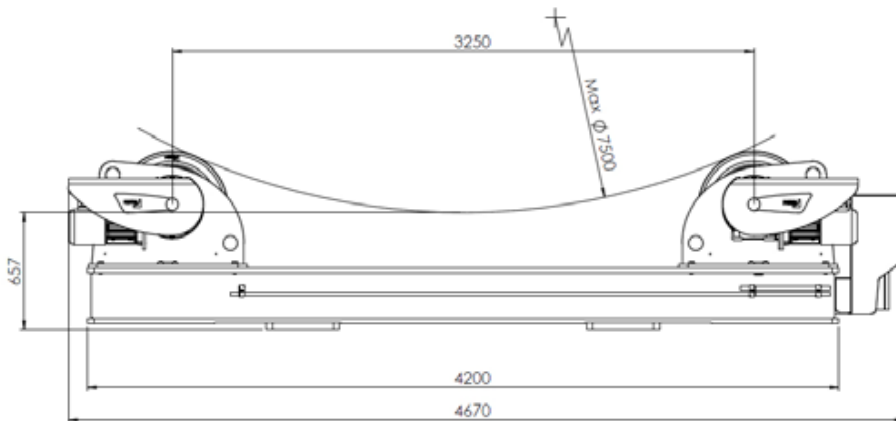
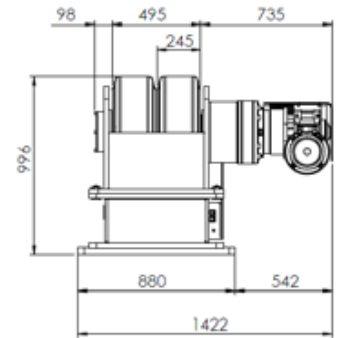
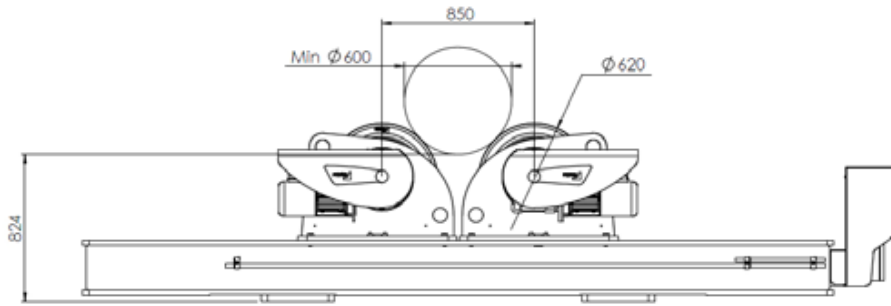
Easy to integrate with other PEMA products like column & booms.

### RELIABLE PRODUCTS

Designed and built for demanding machine shop environment.

# PEMA N150 2D DRIVE UNIT Pema

N SERIES | ROLLERBEDS



## Optional accessories

- Foot pedal for start/stop of rotation
- Foot pedal for speed control of rotation
- External control of rotation
- Rail car units

**PEMAMEK**  
THE WELDING AUTOMATION COMPANY

[pemamek.com](http://pemamek.com)

[@pemawelding](https://twitter.com/pemawelding)



General fabrication | Wind energy | Shipbuilding

Heavy equipment | Power generation | Offshore and process equipment

Pemamek reserves the right to change specifications without notice.