

PEMA A150 2D DRIVE UNIT



A SERIES | ROLLERBEDS



Technical data

| | |
|------------------------------------|-------------|
| Max load (ton) | 75 |
| Rolling capacity (ton) | 225 |
| Max. rotation force (kN) | 110 |
| Rotation speed range (mm/min) | 100-2000 |
| Diameter range min-max 50% (mm) | 1000-8000 |
| Diameter range min-max 100% (mm) | 2000-8000 |
| Roller diameter / total width (mm) | 620 / 245 |
| Rollers (pcs) | 4 |
| Roller material | PU |
| Width (mm) | 1410 |
| Length (mm) | 3770 |
| Weight (kg) | 4700 |
| Mains supply connection 50 Hz | 3*400V+N+PE |
| Power (A) | 32 |

Due to continuous R&D, Pemamek Ltd reserves the right to change the specification without notice.

PEMA A series rollerbeds

The PEMA A-series of self-aligning roller beds is well-suited for managing unbalanced, thin-walled, and/or heavy cylindrical workpieces. These roller beds from the A-series ensure uniform weight distribution, consistent rotation speeds, and versatility across a broad spectrum of workpiece diameters, eliminating the necessity for separate adjustments. The loading capacities within the A-series span from 12 to 800 tons.

Two axles of the PEMA A150 2D drive unit are power-driven. A-series rollerbeds with powered two-wheel drives suit well for wind energy tower and other conical work-piece handling.

In PEMA A-series rollerbeds, roller bogies automatically adjust to align with the diameter of the handled work-piece. Compared with other rollerbed types, PEMA A-type rollerbeds provide superior weight distribution. This is a significant advantage in handling of thin-walled work-pieces.

- **Ideal for unbalanced, thin-walled and/or heavy work-pieces**
- **Even weight distribution**
- **Automatic adjustment for different work-piece diameters**
- **PEMA rollerbeds fulfill the requirements of the European EN-safety norm**
- **All PEMA rollerbeds come with CE-markings**

Better productivity

A cost-effective way to improve productivity, welding quality and safety.

Easy integration

Easy to integrate with other PEMA products like column & booms.

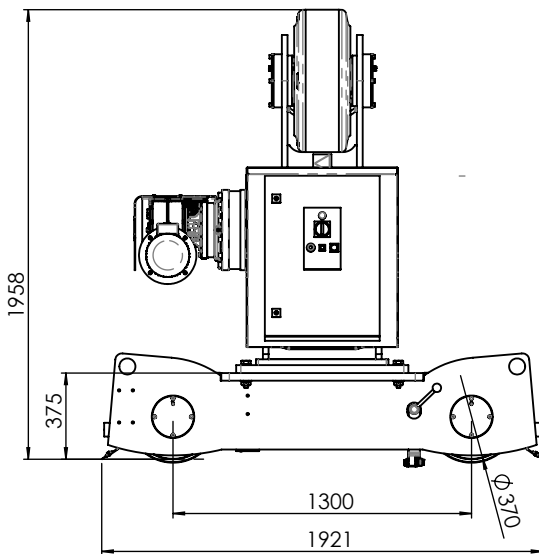
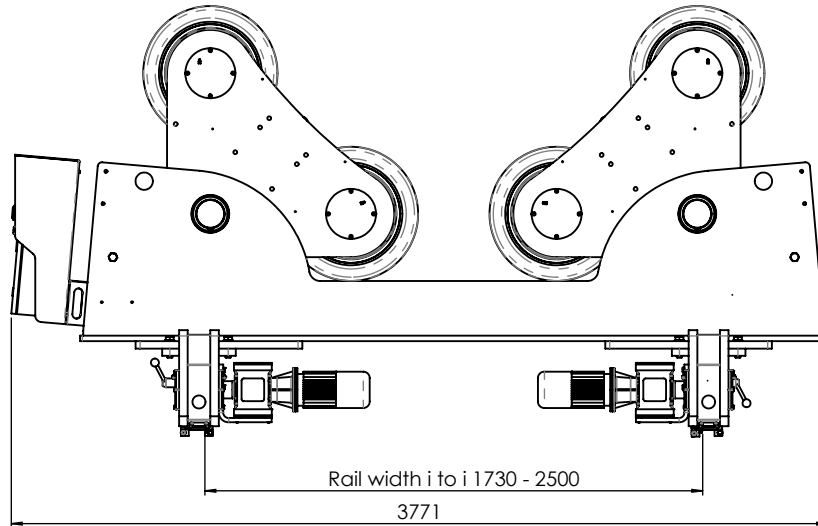
Reliable products

Designed and built for demanding machine shop environment.

PEMA A150 2D DRIVE UNIT



A SERIES | ROLLERBEDS



Optional accessories

- Foot pedal for start/stop of rotation
- Foot pedal for speed control of rotation
- External control of rotation
- Rail car units

PEMAMEK
THE WELDING AUTOMATION COMPANY

pemamek.com
@pemawelding



General fabrication | Wind energy | Shipbuilding
Heavy equipment | Power generation | Offshore and process equipment