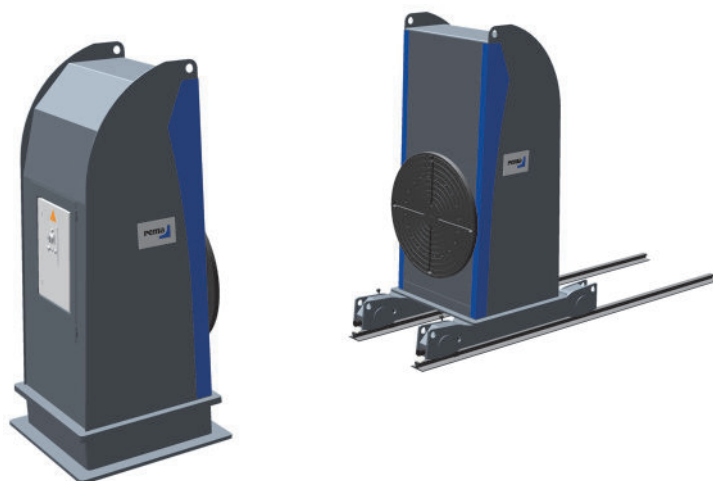


# PEMA HPS & TPS 3500



7000 kg total capacity



## Technical data

Max. load (kg)	3500kg / positioner
Rotation speed (rpm)	0,06-1,3
Max. rotational torque (Nm)	2800
Tilting torque (Nm)	7500
Adjustable tilting axle height min max. (mm)	700-1500
Table plate diameter (mm)	950
T-slots on table plate	4x M20 DIN508
Welding current grounding capacity (A)	700
Height (mm)	2350
Length (mm)	1050
Width (mm)	1150
Mains supply cable length (m)	12
Mains supply connection 50 Hz	3x400V+N+PE
Power (A)	25

Due to continuous R&D, Pemamek Ltd reserves the right to change the specification without notice.

## PEMA HEADSTOCK & TAILSTOCK SERIES

**PEMA HPS Headstock and PEMA TPS Tailstock positioners are specially designed for long, revolving work-pieces. A typical application includes manufacturing of longframes, box beams and other kind of long work-pieces. Loading capacities range from 3 500 - 40 000 kg.**

Headstocks and Tailstocks are versatile, you can use a Headstock with or without a Tailstock. Both types come with a stepless, hydraulically-operated height adjustment. Tailstocks can have motorised rail car units (R serie) for varying lengths of work-pieces.

- PEMA HPS Headstock - motorised rotation & stepless height adjustment
- PEMA TPS Tailstock - free-rotating table plate, adjustable height
- Well suited for handling elongated objects
- Versatility: Headstock can be used either with or without the Tailstock

### BETTER PRODUCTIVITY

Lift and rotate the workpiece. HPS / TPS guarantees optimal working position, always.

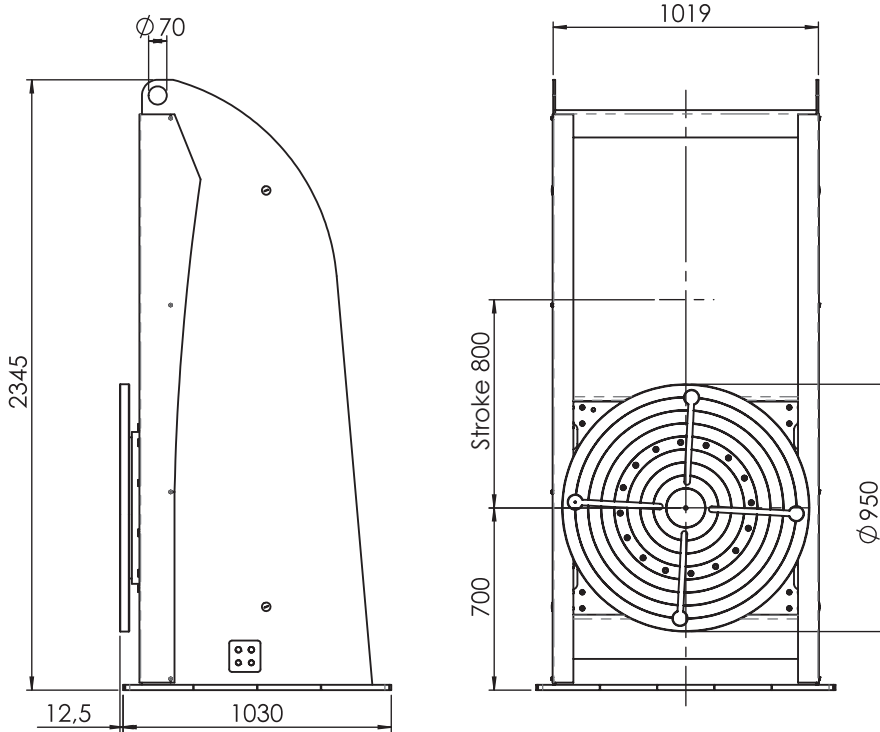
### IMPROVED QUALITY

Good ergonomics and safety secure welder's high motivation and working quality.

### DESIGNED TO LAST

Engineered to endure even the most robust conditions. Partner that will not let you down.





Wired RC32H-remote included.

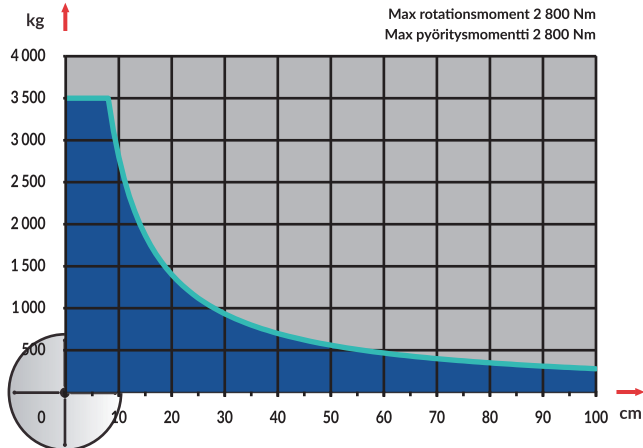
### Optional accessories

- Rail car units for Tailstocks
- Extension blocks for Headstocks
- Foot pedal for start/stop of rotation
- Foot pedal for speed control
- External control of rotation
- Wireless remote control

## LOAD CAPACITY DIAGRAMS

Workpiece mass / kg  
Masse des Werkstücks/ kg  
Arbetsstyckets massa/ kg  
Työkappaleen massa/ kg  
MAX 3 500 kg

Max Rotation Torque 2 800 Nm  
Max. Rotationsmoment 2 800 Nm  
Max rotationsmoment 2 800 Nm  
Max pyöritysmomentti 2 800 Nm



Distance from table plate rotation axis to workpiece centre of gravity / cm  
Abstand von der Rotationsachse der Tischplatte zum Schwerpunkt des Werkstücks/ cm  
Avstånd från bordsplattans rotationsaxel till arbetsstyckets tyngdpunkt/ cm  
Etäisyys pöytälevyn pyöritykselista työkappaleen painopisteeseen / cm

Max Tilting Torque 7 500 Nm  
Max. Neigemoment 7 500 Nm  
Max lutningsmoment 7 500 Nm  
Max kallistusmomentti 7 500 Nm



Distance from surface of table plate to workpiece centre of gravity / cm  
Abstand von der Oberfläche der Tischplatte zum Schwerpunkt des Werkstücks/ cm  
Avstånd från bordsplattans yta till arbetsstyckets tyngdpunkt/ cm  
Etäisyys pöytälevyn pinnasta työkappaleen painopisteeseen / cm

701716-0

pemamek.com  
@pemawelding



General fabrication | Wind energy | Shipbuilding  
Heavy equipment | Power generation | Offshore and process equipment