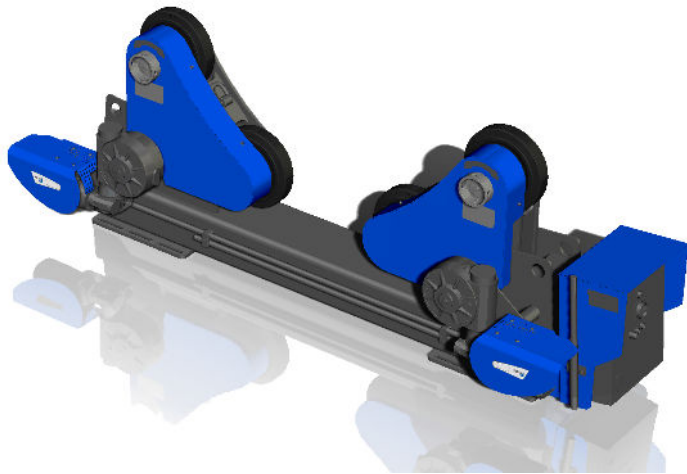


PEMA A12 4D DRIVE UNIT



A SERIES | ROLLERBEDS



Technical data

Max load (ton)	6
Rolling capacity (ton)	18
Max. rotation force (kN)	8,5
Rotation speed range (mm/min)	100-2000
Diameter range min-max 50% (mm)	700-5000
Diameter range min-max 100% (mm)	1500-5000
Roller diameter / total width (mm)	350 / 75
Rollers (pcs)	4
Roller material	PU
Width (mm)	710
Length (mm)	2830
Weight (kg)	850
Mains supply connection 50 Hz	3*400V+N+PE
Power (A)	16

Due to continuous R&D, Pemamek Ltd reserves the right to change the specification without notice.

PEMA A series rollerbeds

The PEMA A-series of self-aligning roller beds is well-suited for managing unbalanced, thin-walled, and/or heavy cylindrical workpieces. These roller beds from the A-series ensure uniform weight distribution, consistent rotation speeds, and versatility across a broad spectrum of workpiece diameters, eliminating the necessity for separate adjustments. The loading capacities within the A-series span from 12 to 800 tons.

The PEMA A12 4D drive unit features two power-driven axles. Roller beds from the A-series, equipped with powered two-wheel drives, are particularly suitable for handling conical workpieces, such as wind energy towers.

In the PEMA A-series roller beds, the roller bogies automatically adjust to align with the diameter of the handled workpiece. When compared to other roller bed types, PEMA A-type roller beds offer superior weight distribution, presenting a notable advantage in the handling of thin-walled workpieces.

- **Ideal for unbalanced, thin-walled and/or heavy work-pieces**
- **Even weight distribution**
- **Automatic adjustment for different work-piece diameters**
- **PEMA rollerbeds fulfill the requirements of the European EN-safety norm**
- **All PEMA rollerbeds come with CE-markings**

Better productivity

A cost-effective way to improve productivity, welding quality and safety.

Easy integration

Easy to integrate with other PEMA products like column & booms.

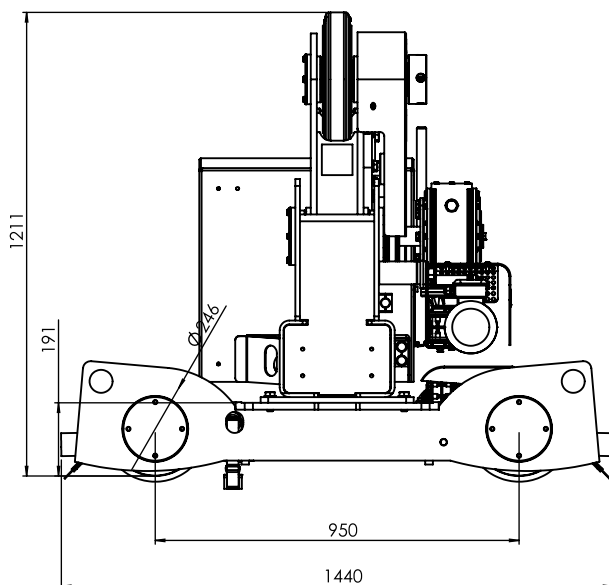
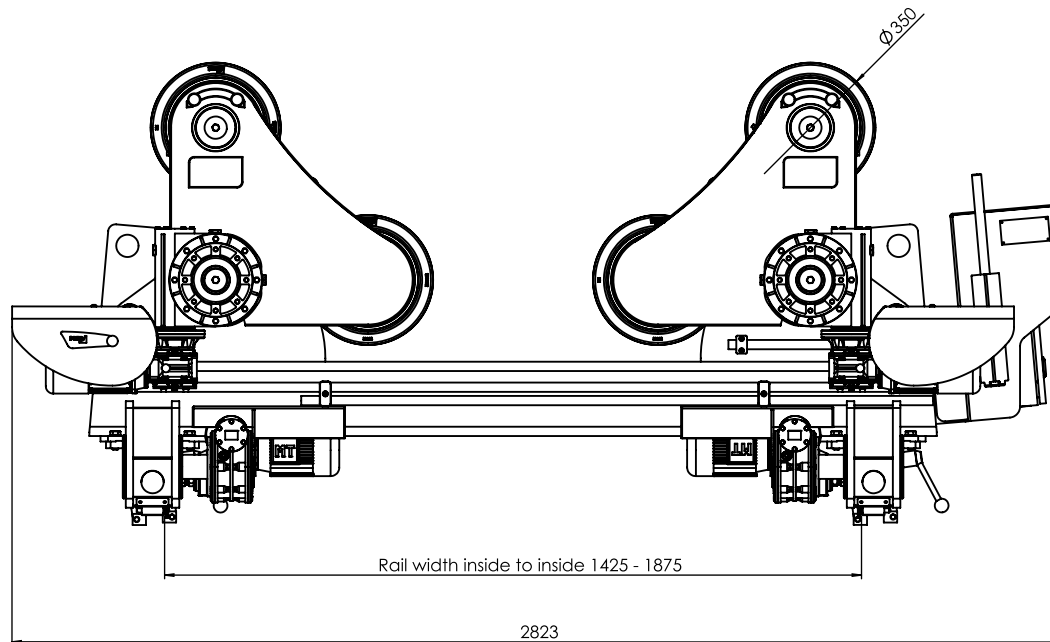
Reliable products

Designed and built for demanding machine shop environment.

PEMA A12 4D DRIVE UNIT



A SERIES | ROLLERBEDS



Optional accessories

- Foot pedal for start/stop of rotation
- Foot pedal for speed control of rotation
- External control of rotation
- Rail car units

PEMAMEK
THE WELDING AUTOMATION COMPANY

pemamek.com
@pemawelding



General fabrication | Wind energy | Shipbuilding
Heavy equipment | Power generation | Offshore and process equipment